



DANBY AREA NEWS

WEST DANBY PICNIC HONORS JOAN BARBER

Submitted by Peter Fraissinet, West Danby Community Association

Every year, the West Danby Picnic brings together neighbors from West Danby and beyond to share in some food, music, and conversation. It happens at Hatch's Pavilion, at the corner of Brown & Short Roads, in West Danby, on Saturday, August 27, 4:30pm, rain or shine (there is shelter).

This year we are pleased to honor Joan Barber of Danby for the many years of work and organizing she has done and continues to do on behalf of local food pantries, especially the Danby Food Pantry.



Photo by Ted Crane

Please join us at this late afternoon event to show your support for Joan's efforts!

In the spirit of the food pantry, we're going to make a "cake quilt" where folks bring cakes and we artfully join them together on a table to create one large community cake for the visual impact of a crazy quilt. If you're thinking you might like to contribute a cake for this (doesn't have to be fancy), please let us know (607.255.0443 days, leave message, or [pf13@cornell.edu]) so we can plan for the right size table. Also in the spirit of the food pantry, we encourage you to bring a donation for the Danby Food Pantry (non-perishable foods, pet foods, kitchen & bath paper products, or even money).

So, besides cake, what's on the menu? Tod Sukontarak will be slow-cooking all day at his homemade smoker to supply us with some amazing pulled pork, and there'll be veggie dogs too. We'll provide watermelon, lemonade and water, and whatever else we think of that

—continued on page 3 ↻

BEEKEEPING IN DANBY!

Submitted by by Bill Evans, Community Council

On Sunday, August 21, 2pm in Danby's Town Hall, Danby beekeepers Peter Loring Borst and David Hopkins will present a slide show conversation about beekeeping with audience participation and Q&A.

Weather permitting, the show will be followed by a trip to Peter's backyard apiary on Lieb Road and a tour of flowers visited by foraging bees.

Peter Loring Borst is the Apiary Manager for the Finger Lakes Beekeepers Club, an avid bee photographer, and a writer for the American Bee Journal. He has experience as a commercial beekeeper and as a NYS Bee Inspector.

David Hopkins is a long time hobby beekeeper and is currently expanding his apiaries as a semi-commercial sideline operation. He has been an occasional hired hand for commercial beekeepers. ❁



Photo by Peter Borst

This Month Inside the Danby News:

- Town Clerk's Desktop ③
- County Legislature Update ④
- Fire District Uses Grants ④
- Supervisor's Update ⑤
- Small Farm Quarterly Seeks.... . ⑤
- Seniors ⑥
- Events 'Round Town ⑥
- Sundaes on Wednesdays. ⑥
- Community Library. ⑥
- Youth Flyer ⑦
- Swimming in Jennings Pond . . . ⑦
- DCC Youth Grants ⑦
- Calendar ⑧

FUN DAY COMMITTEE THANKS YOU

Submitted by George Jakobson

Fun Day has come and gone, and we would like to thank everyone who helped out.

We'll have the full list in the next issue of the Danby News, since we don't want to leave anyone out. For now, just a *big Thank You* to everyone who helped. ❁

August 2016

Layout: Ted Crane

Count-n-Label Crew:

Julie and her family; Ted and Pamela; Katharine and Scott, and others.

Post Office Crew:

Julie Clougherty,
Katharine Hunter

To contribute:

Danby Area News

PO Box 6886

Ithaca, NY 14851-6886

Phone: 607.273.8678

Email: [danbynews@tedcrane.com]

Text submissions:

Send text in the body of an Email message (**not** as an attachment); or mail typewritten copy, double-spaced on white paper. Short handwritten submissions accepted; please write legibly.

Graphics: JPEG preferred for photos, GIF for line graphics. PNG also works. Check with editor before sending hard-copy graphics.

Deadline is the 15th of the month. Materials may be accepted later if time allows. Submissions should generally not exceed one page. We cannot print political material or letters of opinion.

The Danby Area News (DAN) is a publication of the Danby Community Council (DCC) produced by contract with the Town of Danby. All statements are those of the contributors, and do not necessarily reflect the views of the editors, sponsors, the DCC and its officers, or officials and employees of the town of Danby. All works remain © of the contributors. Please provide a SASE if you wish to have materials returned. The DAN and DCC are not responsible for typographic or other errors.

We would like to thank these sponsors for their help:

PATRON:

ARNOLD PRINTING CORP • 604 West Green Street • 607.272.7800

High Quality Printing Services • Recycled papers / Soy based inks

Complete Digital pre-press • Family owned and operated

SUPPORTERS:

COME HOME TO TENWOOD LODGE

Fabulous • Spacious • Unique
Family Reunions • Vacation Rental • B&B
Making treasured family memories since 2013.
[tenwoodlodge.com] • 607.273.9546

FRIENDS:

**Highland Farms Boarding
Kennel and Store**

168 West Miller Road • 607.273.3251
[www.highlandfarmskennel.com]

**Danby Community Church
“Serving God and Community”**

1859 Danby Road • 607.272.1687
[www.danbychurch.org]

Barn-Livin’ LLC

Green Homes for Blue Collars

[www.barnlivin.com] • 607.742.9464
Rustic Eco Barn Homes Under \$100/sq.ft.

Act Green Be Green Insulation

Free Energy Audits • Low Interest Financing
New York State Grants • 607.319.0766

AGBG Electric Company, Inc.

New Service or Small Jobs
Insured • 607.319.0766

Are you interested in becoming a sponsor?

Help the Danby News build community!

For info, contact [danbynews@tedcrane.com].

DANBY NEWS NOTES

Submitted by Ted Crane

Submission Guidelines: Before submitting an item for the Danby News, please have a look at the *Submission Guidelines*. You can request them by Email from the editor at [danbynews@tedcrane.com] or find them at [danbyny.org/DanbyNews]. If you’re thinking of sending something for publication in the Danby News, there’s two documents to read: the

Guidelines and the *Submission Guidelines* at the same web location.

You’ll learn what is, and isn’t acceptable material for publication. If it’s acceptable, we’ll make an effort to include it; *generally, we print everything we receive!* You’ll find hints about how to prepare a submission. Following these guidelines makes the editing and layout easier.

A terse version of these guidelines is in the left-hand column of this page. ♣

TOWN CLERK'S DESKTOP

Submitted by Pamela Goddard, Town Clerk

Sometimes, bits of history can pass us by without notice. In mid-July, when reading the obituaries in the Ithaca Journal, I stumbled onto an extraordinary historical coincidence. Two previous Danby Town Clerks passed away, exactly one week apart.

Carol Sczepanski died on July 9, the same day as this year's Danby Fun Day. Service to Danby had been her life for much of her life. She served as Town Clerk for 20 years, from 1990 through 2009. Carol was well known in the Danby community. She took great pride in her community service and public role. A celebration of her life was held at the Danby Community Church on Thursday, July 14.

Just one week later, I read the obituary of Dorothy J. Roberts. This name might be less well known to current Danby residents. Mrs. Roberts passed away at age 90 and had recently been a resident of Walden Place in Cortland. Her obituary mentions her husband Edward and their three children, to whom she

was very devoted. The story of her life goes on to say, "During the children's youth, Dorothy was active in the Town of Danby in many roles, including serving several years as Town Clerk and Council Person." During their years in Danby, Edward and Dorothy Roberts were also very involved in the Danby Federated Church.

While I was well aware of Carol Sczepanski's work as Town Clerk, I had not heard the name Dorothy Roberts. A quick calculation as to the probable age of her children in youth brought me to the Town Board minutes of the 1960s. And, indeed, I found that Dorothy Roberts served as Danby Town Clerk from 1964 to 1970. Her husband, Edward Roberts, was listed on some minutes as, "Deputy Clerk." The Town Supervisor at that time was James Cortright.

From Dorothy Roberts forward, the chronology of Danby Town Clerks is:

- Dorothy Roberts. . . 1964-1970
- Mildred Miller. . . 1971
- Mary Oltz 1972-1981
- Linda Fetherbay . . 1982-1986
- Joan Babbitt 1987-1989
- Carol Sczepanski. . 1990-2009
- Pamela Goddard . . 2010-the present

Both Mildred Miller and Mary Oltz later went on to be Town Supervisors, during 1980-1985 and 1992-1997, respectively.

The records of each Town Clerk are public and professional. They don't tell much about the women (a man hasn't held the office in more than 60 years) behind the role. This is appropriate, as Board minutes record the history of the Town and (generally) not the personalities behind the names of Supervisors, Councilpersons, Clerks, and residents. Even so, the presence of previous Town Clerks lingers. Sue McLellan and I are well aware that our efforts rest on the shoulders of many strong and capable women. It's an interesting lineage, which I'm honored to continue.

In order to be as accessible as possible, the Town Clerk's office is open 10am-5pm Monday, Tuesday, Wednesday, and Friday. Saturday hours are dropped during the summer, through Labor Day weekend. If there is a need, Sue McLellan or I can be available by appointment. As always, we are closed on Sundays and Thursdays. And yes, there's still chocolate in the bowl on the counter.

Questions? You can contact me at 607.277.4788 or [townclerk@townofdanbynyny.org]. ❁

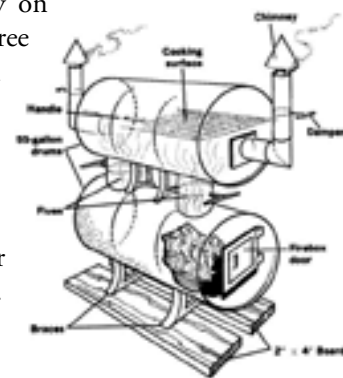


➤ *W.D. Picnic, continued from front page*

says "summer." But we'll rely on you to bring some sort of entree or side dish to share. Bring a table setting and a chair too, if you can.

We'll set up badminton on the field and, of course, anyone is welcome to bring their own lawn game equipment. For music, we hope to have some local pickers kick up a few fiddle tunes and songs for our enjoyment.

So come one, come all, and let's show Joan that we're Danby Proud of her! ❁



COUNTY LEGISLATURE UPDATE

Submitted by Dan Klein, Tompkins County Legislature

This month I am writing about the smallest County department, *Weights and Measures*. Weights and Measures is one of those services that is mostly invisible to the average person, but it is more important to your life than you realize.

The mission of Weights and Measures is to uphold NY State Agriculture and Market laws that protect and serve consumers as well as business owners. This is done through the inspection, testing and certification of all commercially-used weighing and measuring devices (scales, gasoline pumps, etc.) in the county. Weights and Measures also inspects packaged commodities for accurate weight, measure, or numerical count, and responds to consumer complaints and questions.

The Tompkins County Weights and Measures department consists of just one person: Don Ellis. Don has been on the job for 20 years.

There are approximately 1900 devices located in 225 businesses in Tompkins County that are used to measure items purchased by consumers. Each of these devices must be inspected every year. There is also one train scale in Tompkins County.

New York State mandates that each County have a Department of Weights and Measures.

State law contains many rules about consumer rights when it comes to weights and measures. Many of these rules feel like common sense but, without the law, consumers might not get what they are paying for. For instance, if a retailer is weighing out a product for you, you must be able to see the scale. Also, whenever food is packaged by the retailer in advance of being offered for sale, an accurate scale must be easily accessible to customers. A prominent and conspicuous sign reading "for customer use" must be displayed on the scale.

There are also some fairly obscure rules. For instance NY-CRR Part 223 of 1997 contains 1400 words about how to determine the quantity of cherries suspended in water.

Every few years, the County Legislature discusses whether we should add at least a part-time position to this department to account for time off, transition planning, and for the increasing numbers of businesses and regulations. But, so far, Weights and Measures remains a one-person operation in Tompkins County.

Contact me at [danbydan@hotmail.com] or 607.272.7582. ❁

DANBY FIRE DISTRICT USES GRANT FUNDING

Submitted by Edward Kokkelenberg, Fire Commissioner

Grants are a strong source of funds for the Danby Fire District. During the past two and one half years, we have successfully applied for and been awarded \$74,200 in grants; we have \$185,000 pending in new or outstanding grants; and we have been turned down for \$142,000 in grants.

The grant application process begins when the Fire Chiefs identify a need. Several Commissioners then develop a draft and seek a likely funding source. Many applications are simple; they involve only slightly more than a letter. Others have many forms to fill out, approvals from governmental units, registrations, conformance to data reporting standards, and technical details. We have usually had to engage a consultant in these more complex applications to make sure we are applying correctly.

Some grants are awarded after being reviewed by only a small team within the granting agency. While competitive, this process is relatively low key. The chances of being awarded in these cases might be a good as one out of four.

Others opportunities have a multistep evaluation process that might involve an initial computer scoring followed by a manual review of the applications that have passed the automated hurdles. Success here comes to very few, perhaps one out of a hundred applicants.

We have succeeded in getting grants to fund hoses, turn-out gear, nozzles, a set of "Jaws of Life," and a consulting study. Grants are pending for a new brush truck, for radios, and for a new District sign. Applications we have prepared, for over \$170,000, are awaiting evaluation by the Federal Government, but the odds are long in this case. Additional applications are being written for breathing apparatus and miscellaneous equipment.

We have received grants from Firehouse Subs Foundation, Triad Foundation, the Tompkins Trust Company, True Insurance, Cornell University, the New York Department of Environmental Conservation, and the Federal Emergency Management Administration. At this writing, we have indications of favorable responses from at least three additional supporting organizations.

A big *Thank You* to all of these supporters! Their largess reduces the need for tax increases while helping us to keep our volunteer fire fighters equipped. ❁

SUPERVISOR'S UPDATE

Submitted by Ric Dietrich, Town of Danby Supervisor

In the last two issues of the Danby News I have tried to give a brief history of Danby's efforts to provide residents with a viable Internet Service Provider, one whose availability is not limited to densely populated, easy to reach neighborhoods. I've also asked those who are interested in service to notify me, so that I can get a more accurate sense of what we have accomplished, and how many residents we still have unserved.

Over the years, various residents have addressed the Town Board about the poor distribution of Broadband Internet and, during a recent Town Board meeting, one resident expressed frustration that he and his neighbors will be "left out."

We know that a lot of previously unserved Danby residents have been connected to Clarity Connect's radio-based wireless service. Originally, according to New York State, there were 280 unserved households in Danby, and the goal of the grant awarded to Clarity was to provide service to 257 households or businesses. Clarity's own research found an additional 148 unserved households. As of this writing, Clarity is providing (or can provide) service to about 317 households. Even though the grant target has been satisfied, Clarity is continuing its buildout in Danby, trying to reach more households.

Among the currently unserved, though, some residents have come up with a new idea. Just as municipalities around the county are working together, this group has banded together, beginning with an approach to Time-Warner, asking if its cable service can be extended to provide service to Durfee Hill and Steam Mill Road. A conversation has also started with Clarity Connect for the same area, but using fiber-to-the-home.

Based on my ongoing conversations with Clarity Connect, I believe it can provide a more timely and, ultimately, more responsive resolution in this and other hand-to-reach locations, but that is not my call.

The initial scope of the rural Broadband effort was a buildout being done in cycles. The first phase, perhaps two years, would cover all the easy to reach, no-brainer connections. It would be followed by a second two-year phase covering marginal areas, where geography and trees create problems (Steam Mill and Durfee Hill suffer both of these problems). A third cycle of development would address the remaining households, one by one.

It's easy to understand why the remaining unserved residents in Danby are frustrated, and why they're looking for service *now*. In a sense, their approach to Time-Warner and Clarity is an embodiment of the "second phase" that I described: neighborhood-wide solutions to problem areas. If the effort by Steam Mill and Durfee Hill bears fruit—committing themselves to subsidize the infrastructure—it could become a template for participation by the rest of the community.

A key part of this process is to identify unserved neighborhoods, to identify one or more people willing to canvass and coordinate the neighborhood, and to engage in conversations with any and all providers to find the best alternative solution.

If you have any questions or concerns, contact me at [supervisor@townofdanbyny.org]. ❧

SMALL FARM QUARTERLY SEEKS... YOU

Submitted by CJ Randall, Danby Planner

FYI, for any Danby News readers who may also be writers! The Small Farm Quarterly is looking for article and photo submissions, due August 12.

For more info, visit [cadefarms.org], click on "Opportunities", and scroll down to the July 12 call for submissions. ❧

Town Office Info

Town Clerk • [townclerk@townofdanbyny.org]

Phone: 277.4788 • Fax: 277.0559

Mon-Tue-Wed-Fri, 10am-5pm; *Saturdays by appointment*

Highway Department • [highway@townofdanbyny.org]

93 Hornbrook Road • Phone: 272.9169

Mon-Thu, 6am-4:30pm

Code Enforcement Office • [code@townofdanbyny.org]

Phone: 277.0799 • Fax: 277.0559

Mon-Wed, 9am-5pm; Thu, 12:30-5:30pm

Town Court • [courtclerk@townofdanbyny.org]

Phone: 277.0095 • Fax: 277.0031 • Tue, 7pm

All offices at Danby Town Hall except where noted.

DANBY SENIORS UPDATE

Submitted by Margie VanDeMark

The next meeting of the Danby Seniors will be on Thursday, September 1 at 6pm at the Danby Community Church [no meeting in August]. All seniors 55 and over are welcomed to join our fellowship and dish to share dinner.

The June trip to Letchworth was a beautiful day and our lunch at the Glen Iris Inn was wonderful. Thank You Nancy and Alice for planning it!

Our July BBQ at the American Legion was fun and eight people were happy raffle prize winners. We enjoyed background music by Mike and Kat, two members of the Immortal Jellyfish. Big thanks to Jon Mosher for being chief chicken cook, helping our guys Ted, John, and Dan do it right. ❀

SUNDAES ON WEDNESDAYS

Are you in the know? For many years, one of Danby's hidden treasures has been the *Sundaes on Wednesdays* program offered by the Danby Community Church.

The ingredients are simple: free ice cream sundaes with real hot fudge, hot dogs and hamburgers for sale, comfy seats on a green lawn, and an hour or so of free live music. It's a plus when the weather is great (which it always is), but the event goes on, rain or shine.

This year's series is limited to three Wednesdays in August. Be there for all of them!

August 3: Ithaca Concert Band

August 10: Diamond Someday, Blue Grass

August 17: Ithaca Bagpipe Band ❀

EVENTS 'ROUND TOWN

This column appears monthly, featuring brief descriptions of events—current and upcoming months—around Danby. If you have a non-profit event that the general public is invited to...send a notice to the Danby News!

Community Council Events

Danby's Bees: Sunday, August 21, 2pm, see front page.

At the DFC

Sundaes on Wednesdays: Wednesdays, August 3, 10, 17, 6:30pm. Live music and free ice cream. See article.

The Great Room at Slow Lane

Contra Dancing: Fridays, 8pm. Info: 607.273.8678.

English Country Dancing: Saturday, August 27, 2pm, with *Shepherd and Ewe..* Info: 607.273.8678.

Save The Dates For West Danby

Richie and Rosie will be featured at a concert on September 10 at Wayne Myer's fabulous gardens on Michigan Hollow Road. ❀

DANBY COMMUNITY LIBRARY

Submitted by Patti Meyers

Summer Reading list...

New Books at Danby Community Library!

What She Left Behind by Ellen Marie Wiseman

Hattie Ever After by Kirby Larson

A Hundred Thousand Worlds

by Bob Proehl (local author)

LaRose: A Novel by Louise Erdrich

Barkskins: A Novel by Annie Proulx

Everybody's Fool by Richard Russo

Vinegar Girl by Anne Tyler

The Forgetting Time by Sharon Guskin

Here Comes the Sun by Nicole Dennis-Benn

Our next volunteer meeting is Saturday, August 6 in Danby's Town Hall, 9am. We could really use some new faces. Check us out or leave contact information. ❀



Community Council Summer Youth Programs

Hi Danby Youth and Families,
 What a blast Danby Fun Day was this year and it was great to see so many people out to help celebrate. Our Community Creators program did an exceptional job preparing games and activities for the day. Their hard work paid off with lots of fun times had by everyone who stepped up to play. With the summer half gone, our final two summer programs are gearing up to be busy and exciting, check out what we will be doing below. Keep an eye out for Fall programs to be announced this month! Feel free to contact me, Travis Judd, with any questions, [ttj22@cornell.edu] or 607.272.2292.x222

Additional program/registration information can be found below, in Danby's Town Hall, on the Cornell Cooperative Extension of Tompkins County web site [ccetompkins.org/4-h-youth/rural-youth-services] and in flyers given out in schools.

Funky Furniture - Grades 5-8

Monday-Thursday, August 1-4, 9am-4pm
 The Danby Community Church

Need a new chair, shelf, table or other useful piece of furniture? Come learn how to fix and/or repurpose furniture that was a "lost cause". We will be sanding, painting, gluing, nailing, cutting, reconfiguring, embellishing



and finishing our individual projects so you can take it home at the end of program. Who knows, maybe you will be the next Frank Lloyd Wright!

Can You Canoe? - Grades 5-8

Monday-Thursday, August 22-25, 9am-4pm
 The Danby Community Church

Come get on the water! We will be learning paddling techniques, portaging, boaters safety rules, how to safely transport and take care of our small vessels. We will have snacks and activities while on the water, all while soaking in the scenery and wildlife we encounter. Our flat water locations include the beautiful Cayuga Lake and Jennings Pond. ❁

FREE SWIMMING IN DANBY

Submitted by Mary Ann Kozak, Pond Co-coordinator

Summer Breeze makes you feel fine! During this beautiful summer, you are welcome to swim at Jennings Pond (off Bald Hill Road) for free.

Our swimming hours are Sunday-Thursday, Noon-7pm, and Friday-Saturday, Noon-8pm, until Labor Day. Our lifeguards are Danby Youth. Jennings Pond is also a favorite spot to fish, canoe, kayak and birdwatch. Check it out! ❁



YOUTH GRANTS

Submitted by Susan Franklin, DCC Youth Grant Coordinator

Do you have a child going to summer camp, or participating in another type of program during the next few months? Financial assistance is available for Danby youth up to age 21, in the form of grants of up to \$100 per youth per year.

Grants are awarded quarterly for camps, lessons, after-school programs, and more. The deadline is September 15 for programs beginning (or with payment deadlines) in October through December.

Funding is provided by the United Way and the Town of Danby. Families who qualify for free or reduced-price lunch are especially encouraged to apply.

For more information and applications please contact [youthgrants@danbycc.org]. You can also find applications on the Town Hall bulletin board. ❁

Postal Patron

DANBY AREA NEWS: EVENT CALENDAR

- Jul 29 • Fri
3-7pm 🏠 Danby Comm. Church • **Yard Sale**
- Jul 30 • Sat
8am-Noon 🏠 Danby Comm. Church • **Yard Sale**
- Aug 3 • Wed
6pm 🏠 Danby Comm. Church
Sundaes on Wednesday: Ithaca Concert Band
- Aug 4 • Thu
7pm 🏠 Town Hall • **Danby Community Council Mtg**
- Aug 6 • Sat
9am 🏠 Town Hall • **Library Volunteers Meeting**
- Aug 8 • Mon
7pm 🏠 Town Hall
Town Board Meeting
Groundwater Public Hearing at 7pm
7pm 🏠 Danby Fire Hall • **Fire Dep't Meeting**
7pm 🏠 West Danby Fire Hall • **WD Fire Dep't Meeting**
- Aug 9 • Tue
7pm 🏠 Danby Fire Hall • **Fire District Meeting**
- Aug 10 • Wed
6pm 🏠 Danby Comm. Church
Sundaes on Wednesday: Diamond Some Day
- Aug 15 • Mon
7pm 🏠 Town Hall
Town Board Meeting
- Aug 16 • Tue
7pm 🏠 Danby Fire Hall • **Fire District Meeting**
- Aug 17 • Wed
6pm 🏠 Danby Comm. Church
Sundaes on Wednesday: Ithaca Bagpipe Band
- Aug 18 • Thu
3-6pm 🏠 Danby Comm. Church • **Food Pantry**
7pm 🏠 Town Hall • **Planning Board Meeting**
- Aug 21 • Sun
2pm 🏠 Town Hall
All About Danby's Bees - talk, show, and field visit!

- Aug 22 • Mon
Noon-1pm 🏠 Danby Community Church
Mobile Food Truck
7pm 🏠 Town Hall
Conservation Advisory Council Mtg
- Aug 27 • Sat
4:30pm 🏠 Hatch Pavilion, corner of Short and Brown
West Danby Picnic
- Sep 1 • Thu
6pm 🏠 Danby Comm. Church • **Seniors**
7pm 🏠 Town Hall • **Danby Community Council Mtg**
- Sep 3 • Sat
9am 🏠 Town Hall • **Library Volunteers Meeting**
- Jul 8, 2017 • Sat
Danby Fun Day and Parade

ONGOING EVENTS

- Danby Community Library Open** 🏠 Town Hall
Saturdays, 10am–Noon, Wednesdays, 1:30–3:30pm,
and when the **Open** sign is out!
- Seniors Strength Training Group** 🏠 Danby Community Church
Mondays and Thursdays, 9am.
- AA Meeting** 🏠 Danby Community Church
Wednesdays, 7pm.
- Danby Quilters Group** ☎ 607.273.2950
Call for Info.

WHERE THINGS HAPPEN

- 🏠 **Danby Town Hall** • 1830 Danby Road
🏠 **Danby Fire Hall** • 1780 Danby Road
🏠 **West Danby Fire Hall** • Sylvan Lane, off Rt.34/96
🏠 **Danby Community Church** • 1859 Danby Road
🏠 **American Legion Post 221** • 1231 Danby Road